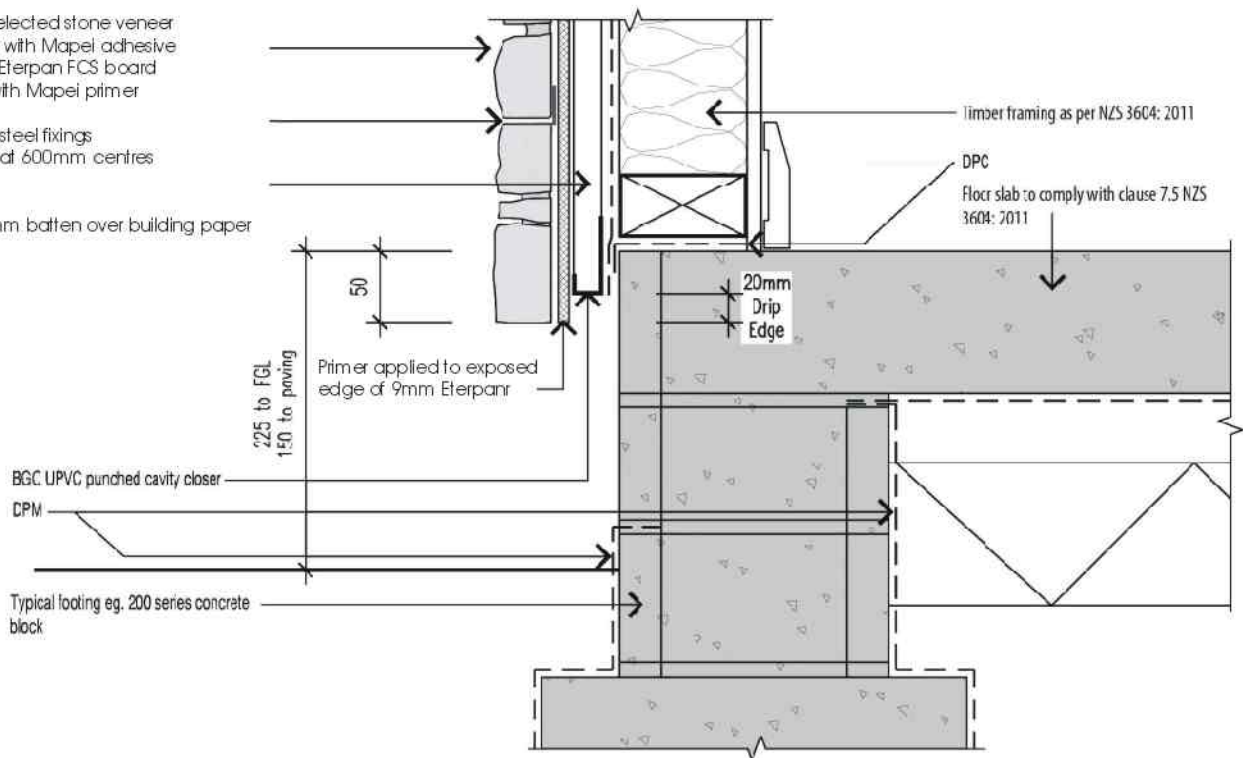


40mm Stone Veneer Specifications

40mm selected stone veneer
adhered with Mapei adhesive
to 9mm Eterpan FCS board
Primed with Mapei primer

Stainless steel fixings
installed at 600mm centres

45 x 20mm batten over building paper



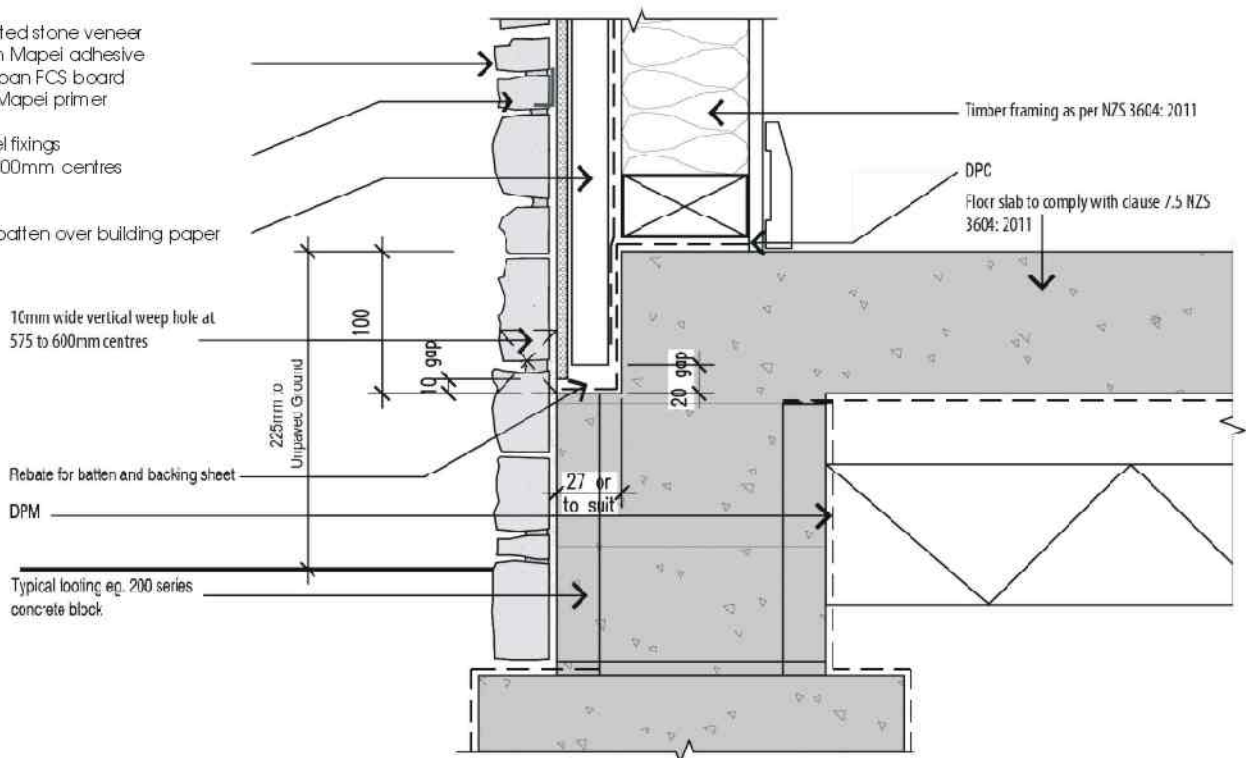
01

Standard Slab Edge Detail

40mm selected stone veneer
adhered with Mapei adhesive
to 9mm Eterpan FCS board
Primed with Mapei primer

Stainless steel fixings
installed at 600mm centres

45 x 20mm batten over building paper



02

Rebated Slab Edge Detail